

Codajet Printer 6000+

Description: The Codajet prints any characters (up to 8 lines), bar codes or logos in a high resolution format on plastic and paper bags. The printer features a control system, an ink cartridge and a remote print head. With the Codajet 6000+, the label can be created on a laptop or stand alone PC and then downloaded to the printer.

Key features:

- Improved product image
- Ability to import your own font styles and graphics
- Printing directly onto your own bag
- Better programming functions



FISCHBEIN S.A.

Paepsem Business Park, Boulevard Paepsem 18b, B-1070 Brussels, Belgium

Tél : +32-2-555.11.70 • Fax : +32-2-520.33.90 • E-Mail : sales@fischbein.be

Website : www.fischbein.com • TVA/BTW : BE 401.889.806 • RCB/HCB : 264.230

KB Brussels : 432-40142681-31 • BBL Brussels : 310-0825888-19

Process: The printing process starts when the sensor detects the bag. Previously, the operator has removed the dry ink from the print head by spraying it with a release agent and wiping it.

Standard features:

- Print head (optional second print head)
- Graphics, logos and bar codes
- Sensor
- Control panel
- Large colour graphic screen (WYSIWYG)
- QWERTY keypad with pictorial function keys
- Cleaner spray bottle
- Mounting bracket
- Up to 8 lines of text per print head
- Horizontal printing
- 5 standard text heights (2, 4, 8,13, 17mm)
- Up to 10 fonts styles
- Single high resolution print head as standard – 128 vertical dots/17mm (180dpi)
- 40 characters/message line
- 100 messages storage (expandable)
- Date, time and shift
- Incremental and decremental numbering and batch counting
- Speed: 100m/min (30m/min for bar codes and 3mm text)
- Multi languages support (optional foreign keypads - eg: Russian, Greek)
- Password protection
- Visual alarm indicator
- RS232/485 connection
- Optional: motorised cover with which the operator does not need to remember to close the cover to protect the print head and to keep the ink from drying out between printings or to open the cover when printing is required

Electrical:

- Auto voltage detect
- Single phase 90 – 260V, 50 – 60Hz, 0,5A
- Secure electrical failure mode

Data input/output (optional):

- Additional photocell
- Encoder
- Check weigher
- Bar code scanner
- Ethernet (via adapter)

FISCHBEIN S.A.

Paepsem Business Park, Boulevard Paepsem 18b, B-1070 Brussels, Belgium

Tél : +32-2-555.11.70 • Fax : +32-2-520.33.90 • E-Mail : sales@fischbein.be

Website : www.fischbein.com • TVA/BTW : BE 401.889.806 • RCB/HCB : 264.230

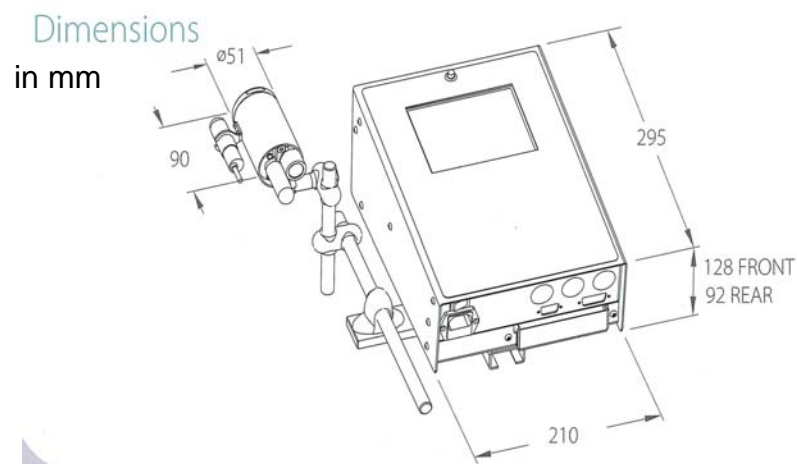
KB Brussels : 432-40142681-31 • BBL Brussels : 310-0825888-19

Inks:

- Sealed replaceable ink cartridge (up to 15 millions characters)
- Oil based inks for porous surfaces
- Solvent based inks for non-porous surfaces
- Various colors and special application inks
- Low ink warning system

PC software:

- Create messages offline
- Back up printer stored messages
- Input alternative font styles and graphics



FISCHEIN S.A.

Paepsem Business Park, Boulevard Paepsem 18b, B-1070 Brussels, Belgium
Tél : +32-2-555.11.70 • Fax : +32-2-520.33.90 • E-Mail : sales@fischbein.be
Website : www.fischbein.com • TVA/BTW : BE 401.889.806 • RCB/HCB : 264.230
KB Brussels : 432-40142681-31 • BBL Brussels : 310-0825888-19